

Product Information Sheet

CRAWER
LIGHTING TECHNOLOGY

CRAWER CR-5001

CRAWER headlight unit New Holland T6/ T7 including lights

MATERIALS

Weight: 2725g
Housing Material: Durable Plastic
Lens Material: Polycarbonate, Hard Coated & UV protected
Heat management: Natural Convection, Heat Sink
Mounting material: Fixed Mounting
Waterproof Rate: Ip67

OPTICS

Part Number:	CR-1030	Part Number:	CR-1031
Beam Pattern:	Flood beam	Beam Pattern:	High beam
Power:	45W	Power:	45W
Lumens:	4000LM	Lumens:	4000LM
LED Chips:	4pcs Luminus LEDs	LED Chips:	4pcs Luminus LEDs

Part Number:	CR-3009-P	Position Light	
Low beam:	30W	White light:	3W
High beam:	55W	Amber light:	3W
Position light:	1W	LED Chips:	28pcs OSRAM LEDs
Symmetrical pattern			
LED Chips: 2pcs LMP ® 7035AW			
AE LEDs + 24pcs OSRAM LEDs			

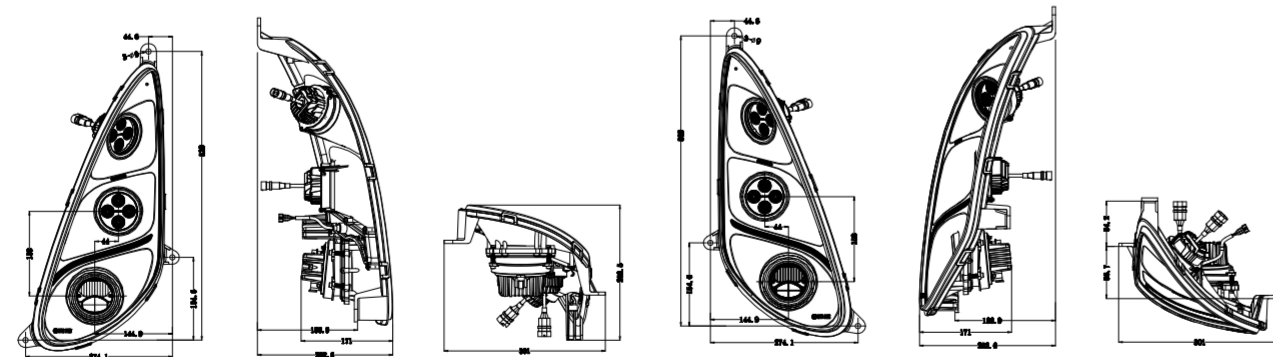
ELECTRONIC CHARACTERISTICS

Operation Voltage: 10-30V DC
Operation temperature: -40°C to 80°C

CERTIFICATES

CE, RoHS
EMC: CISPR25 CLASS4
E-mark: ECE R149, R148, R10

PRODUCT SIZE:

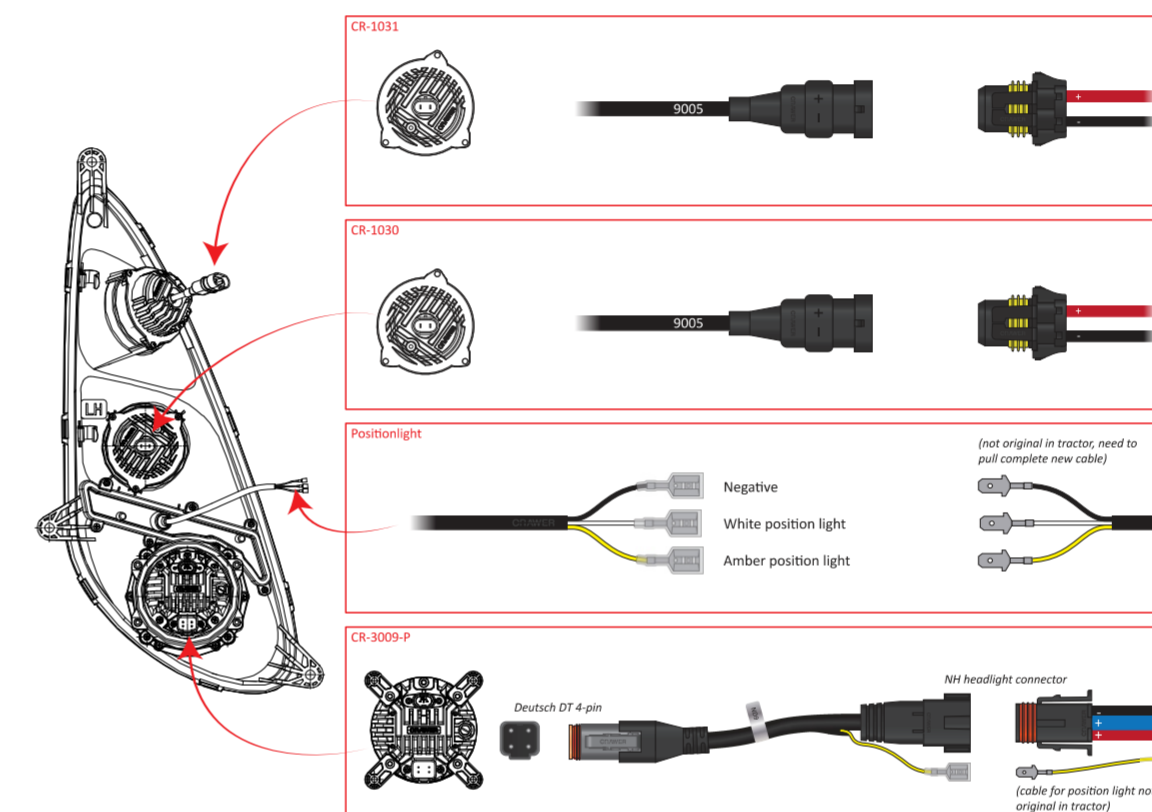


WWW.CRAWER.EU

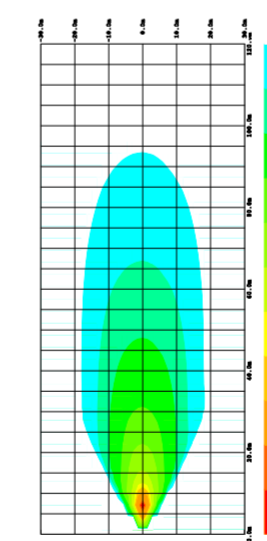
Product Information Sheet

CRAWER
LIGHTING TECHNOLOGY

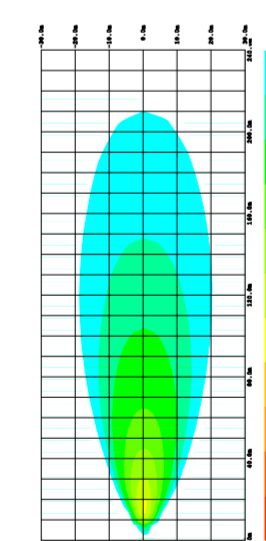
WIRE COLOR & FUNCTIONS



BEAM PATTERN



Low beam



High beam

WWW.CRAWER.EU