

CrawlerCR-1009

65W Rectangular LED agricultural work light

MATERIALS

Weight: 1500g

Housing Material: Die Cast Aluminum, Black Powder Coated Finish

Lens Material: Polycarbonate, Hard Coated & UV protected

Heat management: Natural Convection, Heat Sink

Mounting type: Mounting bracket & screws

Waterproof Rate: IP67

OPTICS

Beam pattern	Flood with 60 degrees
Power:	65W
Lumens:	6500 lms

ELECTRONIC CHARACTERISTICS

LED chips: 8 pcs 10W OSRAM LEDs

Operation Voltage: 9-32V DC

Operation temperature: -40 °C to 80 °C

CERTIFICATES

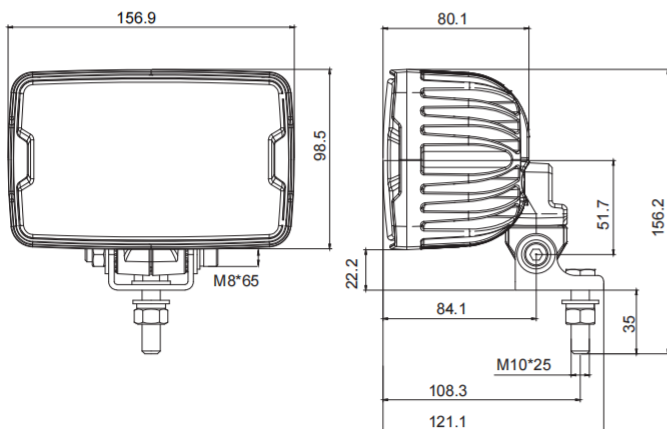
CE, RoHS,

EMC: CISPR25 CLASS 4

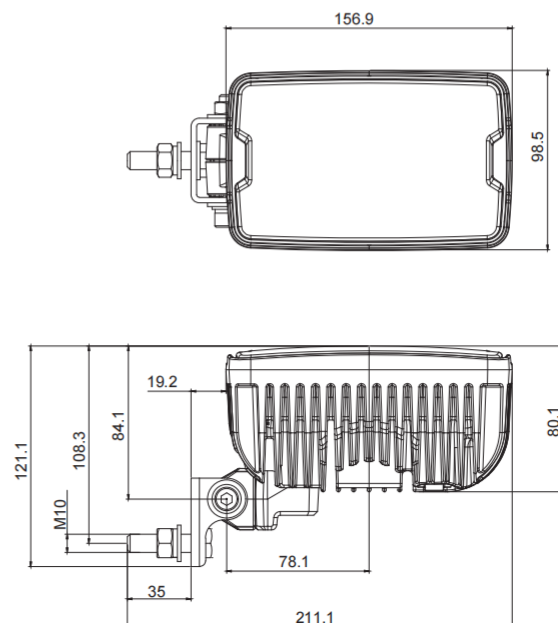


PRODUCT SIZE:

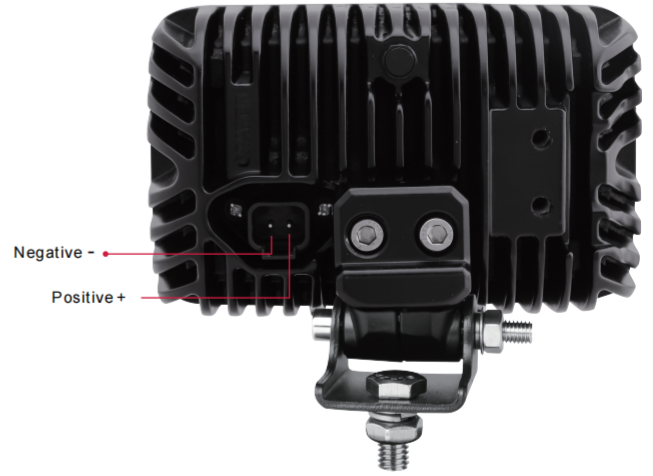
Bottom bracket



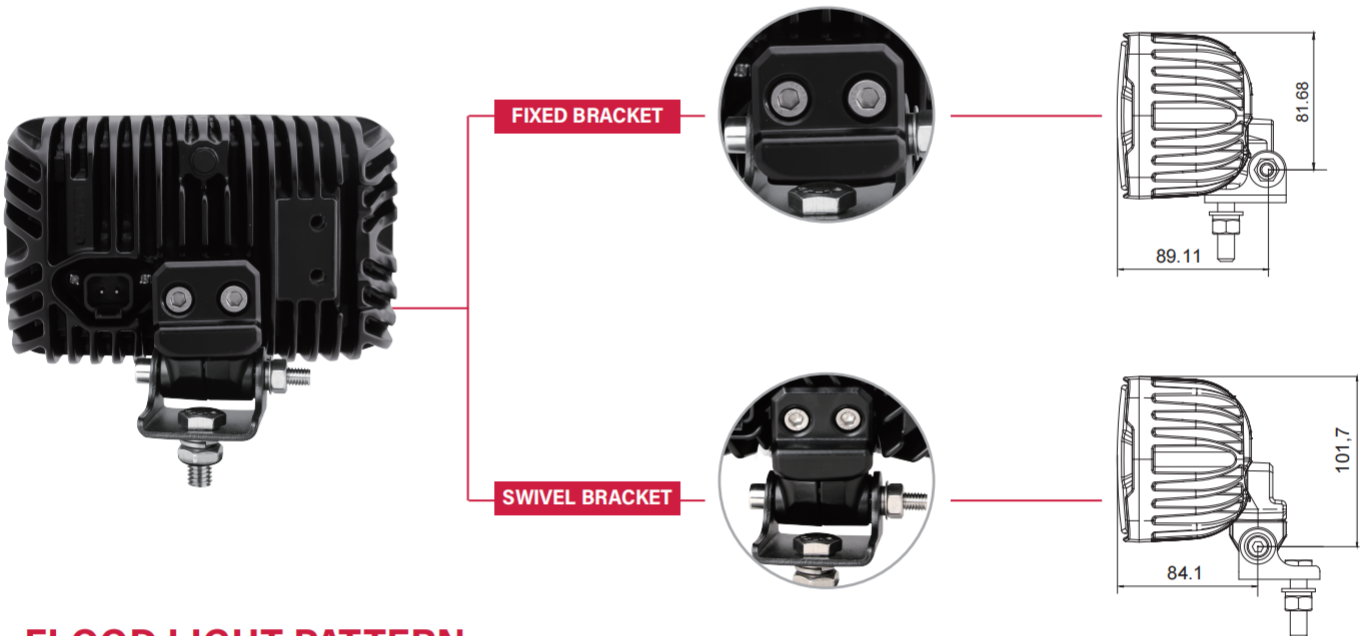
Side bracket



WIRE COLOR & FUNCTIONS



BRACKET IS OPTIONAL



FLOOD LIGHT PATTERN

